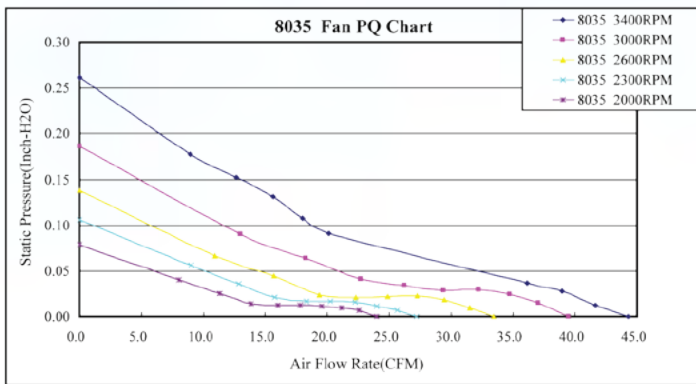


# EVERCOOL

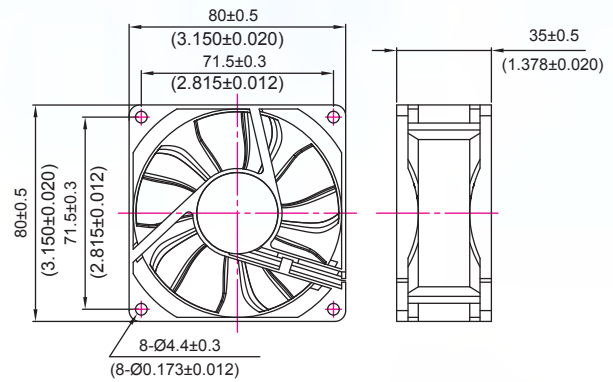
## 8035 series 80x80x35 mm



### P&Q Curve



### Dimensions Drawing



UNIT:MM/(INCH)

### Specifications

Model	Rated Voltage (VDC)	Rated Current (AMP)	Power Consumption (WATTS)	Speed Reference (RPM)	Air Flow (CFM)	Static Pressure (Inch-H <sub>2</sub> O)	Noise (dBA)
EC8035SH12X	12	0.29	3.48	3400	44.27	0.26	<36
EC8035HH12X	12	0.21	2.52	3000	39.48	0.19	<34
EC8035H12X	12	0.17	2.04	2600	33.44	0.14	<31
EC8035M12X	12	0.13	1.56	2300	27.17	0.11	<29
EC8035L12X	12	0.1	1.2	2000	23.96	0.08	<24
EC8035TH24X	24	0.23	5.52	3400	44.27	0.26	<36
EC8035HH24X	24	0.19	4.56	3000	39.48	0.19	<34
EC8035H24X	24	0.15	3.84	2600	33.44	0.14	<31
EC8035M24X	24	0.11	2.64	2300	27.17	0.11	<29
EC8035L24X	24	0.07	1.68	2000	23.96	0.08	<24

8035 series

- ▶ Material: impeller & Frame: Plastic (UL 94V-0)
- ▶ Lead Wires: UL 1007 AWG #26 Or Equivalent  
Red Wire Positive(+), Black Wire Negative(-), Yellow Wire Or Blue Wire Signal(FG)
- ▶ Function type is optional.

- ▶ The max air flow and the speed are measured in free air; max air pressure is measured at zero air flow.
- ▶ Noise is measured in anechoic chamber in free air, one meter from intake side.
- ▶ All readings are typical values at rated voltage.
- ▶ Specifications are subject to change without notice.
- ▶ Additional special function may be added according the requirement of customer.