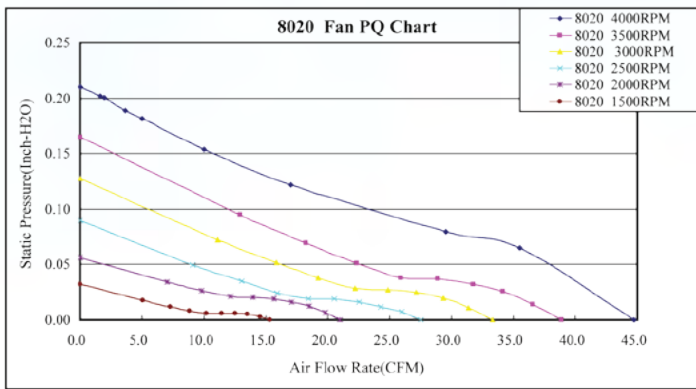


EVERCOOL

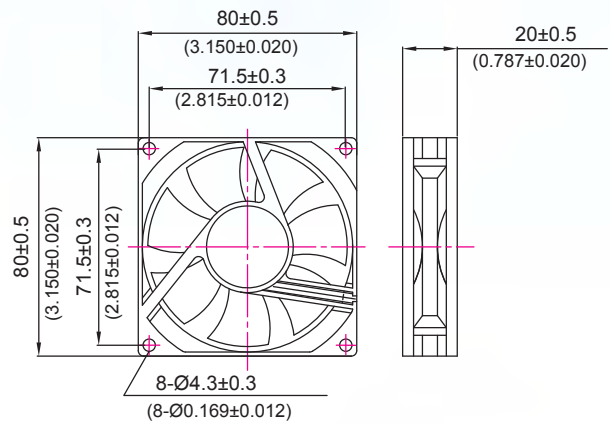
8020 series 80x80x20 mm



P&Q Curve



Dimensions Drawing



UNIT:MM/(INCH)

Specifications

Model	Rated Voltage (VDC)	Rated Current (AMP)	Power Consumption (WATTS)	Speed Reference (RPM)	Air Flow (CFM)	Static Pressure (Inch-H ₂ O)	Noise (dBA)
EC8020TH12X	12	0.3	3.6	4000	44.74	0.21	<37.9
EC8020HH12X	12	0.24	2.88	3500	38.87	0.17	<35
EC8020H12X	12	0.18	2.16	3000	33.31	0.13	<31
EC8020M12X	12	0.13	1.56	2500	27.52	0.09	<26
EC8020L12X	12	0.09	1.08	2000	20.98	0.06	<23
EC8020LL12X	12	0.07	0.84	1500	15.35	0.03	<16.8
EC8020HH24X	24	0.18	4.32	3500	38.87	0.17	<35
EC8020H24X	24	0.14	3.36	3000	33.31	0.13	<31
EC8020M24X	24	0.1	2.4	2500	27.52	0.09	<26
EC8020L24X	24	0.06	1.44	2000	20.98	0.06	<23

8020 series

- ▶ Material: impeller & Frame: Plastic (UL 94V-0)
- ▶ Lead Wires: UL 1007 AWG #26 Or Equivalent
Red Wire Positive(+), Black Wire Negative(-), Yellow Wire Or Blue Wire Signal(FG)
- ▶ Function type is optional.

- ▶ The max air flow and the speed are measured in free air; max air pressure is measured at zero air flow.
- ▶ Noise is measured in anechoic chamber in free air, one meter from intake side.
- ▶ All readings are typical values at rated voltage.
- ▶ Specifications are subject to change without notice.
- ▶ Additional special function may be added according to the requirement of customer.