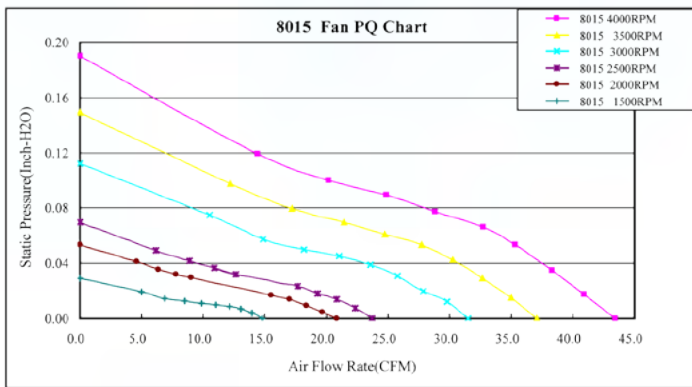


# EVERCOOL

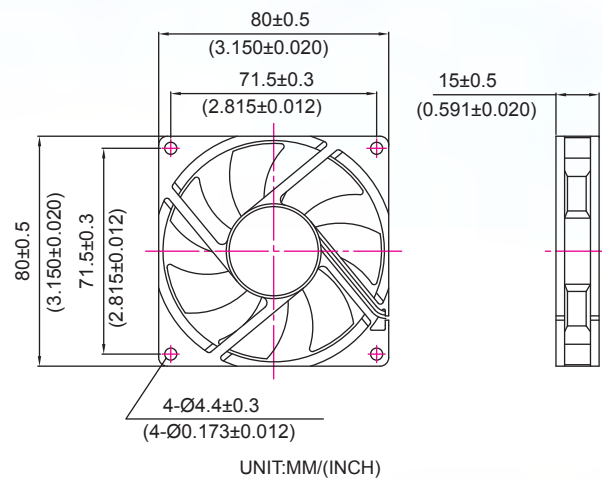
## 8015 series 80x80x15 mm



### P&Q Curve



### Dimensions Drawing



### Specifications

Model	Rated Voltage (VDC)	Rated Current (AMP)	Power Consumption (WATTS)	Speed Reference (RPM)	Air Flow (CFM)	Static Pressure (Inch-H <sub>2</sub> O)	Noise (dBA)
EC8015TH12X	12	0.3	3.6	4000	43.46	0.19	<40
EC8015HH12X	12	0.25	3	3500	37.1	0.15	<35
EC8015H12X	12	0.2	2.4	3000	31.51	0.11	<32
EC8015M12X	12	0.16	1.92	2500	23.67	0.07	<26
EC8015L12X	12	0.14	1.68	2000	20.85	0.05	<20
EC8015LL12X	12	0.08	0.96	1500	14.84	0.03	<13.8
EC8015HH24X	24	0.13	3.12	3500	37.1	0.15	<35
EC8015H24X	24	0.11	2.64	3000	31.51	0.11	<32
EC8015M24X	24	0.09	2.16	2500	23.67	0.07	<26
EC8015L24X	24	0.07	1.68	2000	20.85	0.05	<20

- ▶ Material:impeller & Frame:Plastic(UL 94V-0)
- ▶ Lead Wires:  
UL 1007 AWG #26 Or Equivalent  
Red Wire Positive(+), Black Wire Negative(-), Yellow Wire Or Blue Wire Signal(FG)
- ▶ Function type is optional.

- ▶ The max air flow and the speed are measured in free air; max air pressure is measured at zero air flow.
- ▶ Noise is measured in anechoic chamber in free air, one meter from intake side.
- ▶ All readings are typical values at rated voltage.
- ▶ Specifications are subject to change without notice.
- ▶ Additional special function may be added according the requirement of customer.