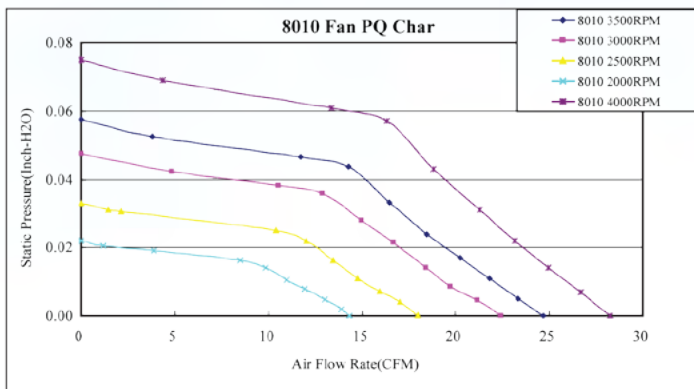


EVERCOOL

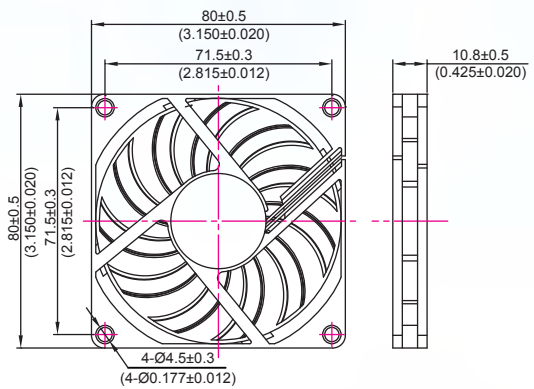
8010 series 80x80x10 mm



P&Q Curve



Dimensions Drawing



Specifications

Model	Rated Voltage (VDC)	Rated Current (AMP)	Power Consumption (WATTS)	Speed Reference (RPM)	Air Flow (CFM)	Static Pressure (Inch-H ₂ O)	Noise (dBA)
EC8010H05X	5	0.65	3.25	3500	24.71	0.06	<30.6
EC8010M05X	5	0.5	2.5	3000	22.44	0.05	<27.3
EC8010L05X	5	0.28	1.4	2500	18	0.03	<23.3
EC8010LL05X	5	0.26	1.3	2000	14.32	0.02	<22
EC8010TL05X	5	0.13	0.65	1500	10.74	0.25	<20
EC8010HH12X	12	0.32	3.84	4000	28.24	0.08	<33.5
EC8010H12X	12	0.26	3.12	3500	24.71	0.06	<30.6
EC8010M12X	12	0.2	2.4	3000	22.44	0.05	<27.3
EC8010L12X	12	0.16	1.92	2500	18	0.03	<23.3
EC8010LL12X	12	0.12	1.44	2000	14.32	0.02	<22

7010 series

- ▶ Material: impeller & Frame: Plastic (UL 94V-0)
- ▶ Lead Wires: UL 1007 AWG #26 Or Equivalent
Red Wire Positive(+), Black Wire Negative(-), Yellow Wire Or Blue Wire Signal(FG)
- ▶ Function type is optional.

- ▶ The max air flow and the speed are measured in free air; max air pressure is measured at zero air flow.
- ▶ Noise is measured in anechoic chamber in free air, one meter from intake side.
- ▶ All readings are typical values at rated voltage.
- ▶ Specifications are subject to change without notice.
- ▶ Additional special function may be added according to the requirement of customer.