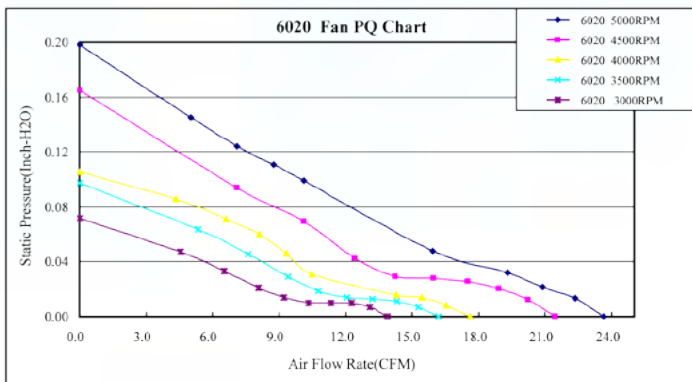


EVERCOOL

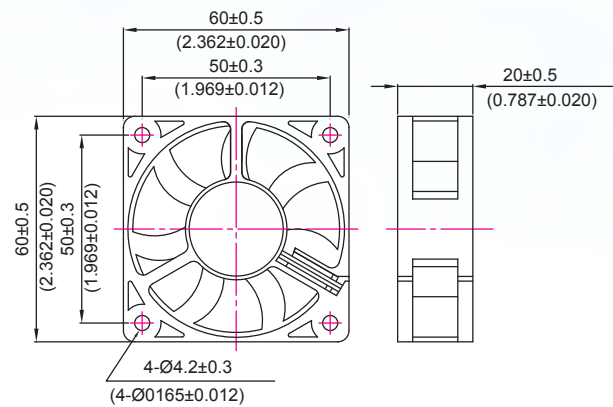
6020 series 60x60x20 mm



P&Q Curve



Dimensions Drawing



UNIT:MM/(INCH)

Specifications

Model	Rated Voltage (VDC)	Rated Current (AMP)	Power Consumption (WATTS)	Speed Reference (RPM)	Air Flow (CFM)	Static Pressure (Inch-H ₂ O)	Noise (dBA)
EC6020M12X	12	0.17	2.04	4000	17.6	0.11	<26
EC6020L12X	12	0.14	1.68	3500	16.19	0.1	<23
EC6020HH24X	24	0.18	4.32	5000	23.64	0.2	<34
EC6020H24X	24	0.15	3.6	4500	21.46	0.17	<30
EC6020M24X	24	0.12	2.88	4000	17.6	0.11	<26
EC6020L24X	24	0.09	2.16	3500	16.19	0.1	<23
EC6020LL24X	24	0.07	1.68	3000	13.88	0.07	<19.6

- ▶ Material:impeller & Frame:Plastic(UL 94V-0)
- ▶ Lead Wires:
UL 1007 AWG #26 Or Equivalent
Red Wire Positive(+), Black Wire Negative(-), Yellow Wire Or Blue Wire Signal(FG)
- ▶ Function type is optional.

- ▶ The max air flow and the speed are measured in free air; max air pressure is measured at zero air flow.
- ▶ Noise is measured in anechoic chamber in free air, one meter from intake side.
- ▶ All readings are typical values at rated voltage.
- ▶ Specifications are subject to change without notice.
- ▶ Additional special function may be added according the requirement of customer.