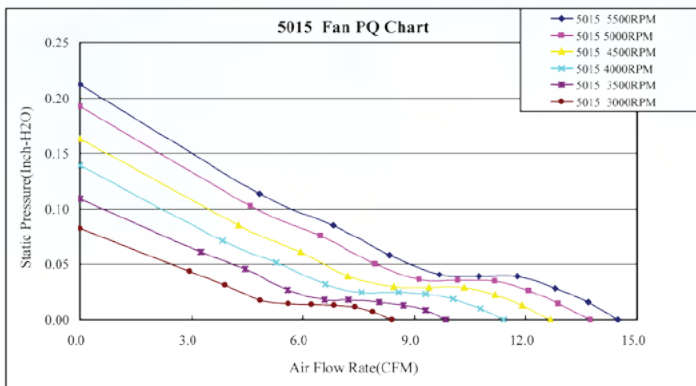


# EVERCOOL

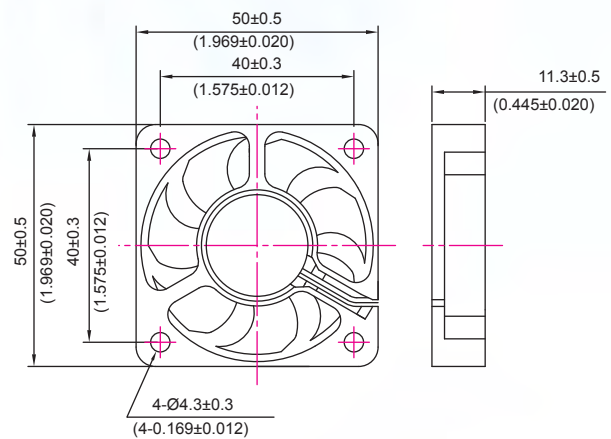
## 5010 series 50x50x10 mm



### P&Q Curve



### Dimensions Drawing



UNIT:MM/(INCH)

### Specifications

Model	Rated Voltage (VDC)	Rated Current (AMP)	Power Consumption (WATTS)	Speed Reference (RPM)	Air Flow (CFM)	Static Pressure (Inch-H <sub>2</sub> O)	Noise (dBA)
EC5010TH05X	5	0.28	1.4	6000	10.71	0.15	<29
EC5010HH05X	5	0.25	1.25	5500	10.07	0.13	<27
EC5010H05X	5	0.22	1.1	5000	8.84	0.11	<25
EC5010M05X	5	0.19	0.95	4500	8.63	0.1	<23
EC5010L05X	5	0.16	0.8	4000	8.08	0.09	<20
EC5010TH12X	12	0.16	1.92	6000	10.71	0.15	<29
EC5010HH12X	12	0.14	1.56	5500	10.07	0.13	<27
EC5010H12X	12	0.12	1.44	5000	8.84	0.11	<25
EC5010M12X	12	0.09	1.08	4500	8.63	0.1	<23
EC5010L12X	12	0.07	0.84	4000	8.08	0.09	<20
EC5010LL12X	12	0.06	0.72	3500	7.07	0.07	<17.26

5010 series

- ▶ Material: impeller & Frame: Plastic (UL 94V-0)
- ▶ Lead Wires: UL 1007 AWG #26 Or Equivalent  
Red Wire Positive(+), Black Wire Negative(-), Yellow Wire Or Blue Wire Signal(FG)
- ▶ Function type is optional.

- ▶ The max air flow and the speed are measured in free air; max air pressure is measured at zero air flow.
- ▶ Noise is measured in anechoic chamber in free air, one meter from intake side.
- ▶ All readings are typical values at rated voltage.
- ▶ Specifications are subject to change without notice.
- ▶ Additional special function may be added according the requirement of customer.