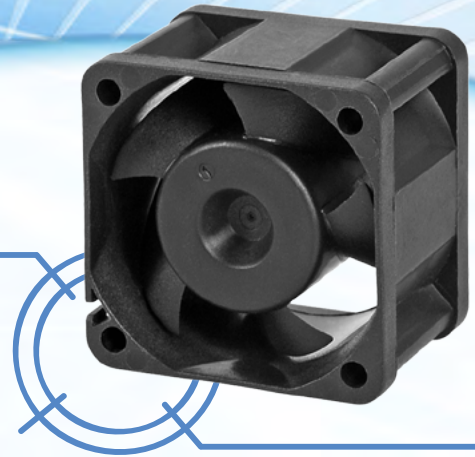
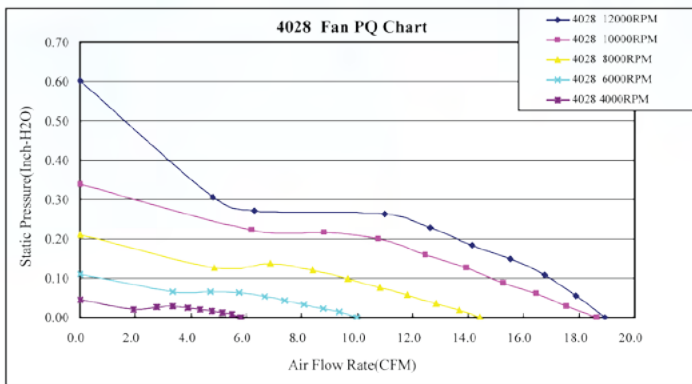


EVERCOOL

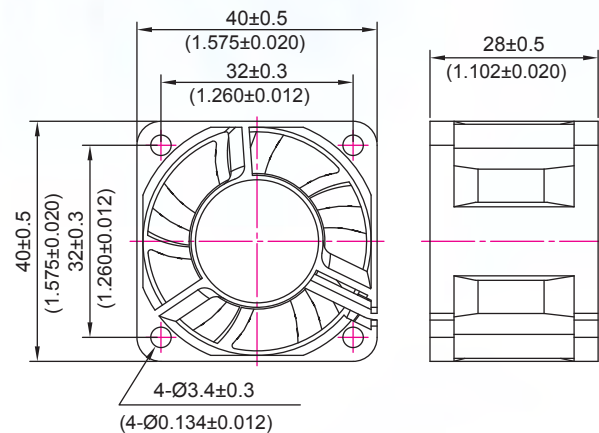
4028 series 40x40x28 mm



P&Q Curve



Dimensions Drawing



UNIT:MM/(INCH)

Specifications

| Model | Rated Voltage (VDC) | Rated Current (AMP) | Power Consumption (WATTS) | Speed Reference (RPM) | Air Flow (CFM) | Static Pressure (Inch-H ₂ O) | Noise (dBA) |
|-------------|---------------------|---------------------|---------------------------|-----------------------|----------------|---|-------------|
| EC4028M05X | 5 | 0.32 | 1.6 | 8000 | 14.42 | 0.22 | <37.4 |
| EC4028L05X | 5 | 0.22 | 1.1 | 6000 | 9.99 | 0.11 | <31.2 |
| EC4028L05X | 5 | 0.12 | 0.6 | 4000 | 5.81 | 0.05 | <22.3 |
| EC4028HH12X | 12 | 0.44 | 5.28 | 12000 | 18.94 | 0.6 | <46 |
| EC4028H12X | 12 | 0.3 | 3.6 | 10000 | 18.64 | 0.34 | <42 |
| EC4028M12X | 12 | 0.16 | 1.92 | 8000 | 14.42 | 0.22 | <37.4 |
| EC4028L12X | 12 | 0.12 | 1.44 | 6000 | 9.99 | 0.11 | <31.2 |
| EC4028LL12X | 12 | 0.08 | 0.96 | 4000 | 5.81 | 0.05 | <22.3 |
| EC4028HH24X | 24 | 0.26 | 6.24 | 12000 | 18.94 | 0.6 | <46 |
| EC4028H24X | 24 | 0.2 | 4.8 | 10000 | 18.64 | 0.34 | <42 |
| EC4028M24X | 24 | 0.14 | 3.36 | 8000 | 14.42 | 0.22 | <37.4 |
| EC4028L24X | 24 | 0.08 | 1.92 | 6000 | 9.99 | 0.11 | <31.2 |

4028 series

- ▶ Material: impeller & Frame: Plastic (UL 94V-0)
- ▶ Lead Wires: UL 1007 AWG #28 Or Equivalent
Red Wire Positive(+), Black Wire Negative(-), Yellow Wire Or Blue Wire Signal(FG)
- ▶ Function type is optional.

- ▶ The max air flow and the speed are measured in free air; max air pressure is measured at zero air flow.
- ▶ Noise is measured in anechoic chamber in free air, one meter from intake side.
- ▶ All readings are typical values at rated voltage.
- ▶ Specifications are subject to change without notice.
- ▶ Additional special function may be added according the requirement of customer.