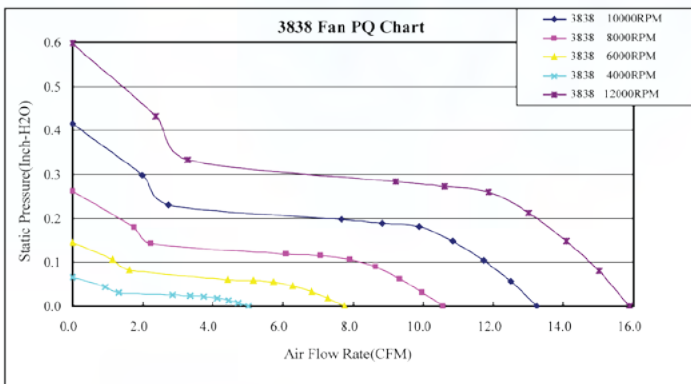


EVERCOOL

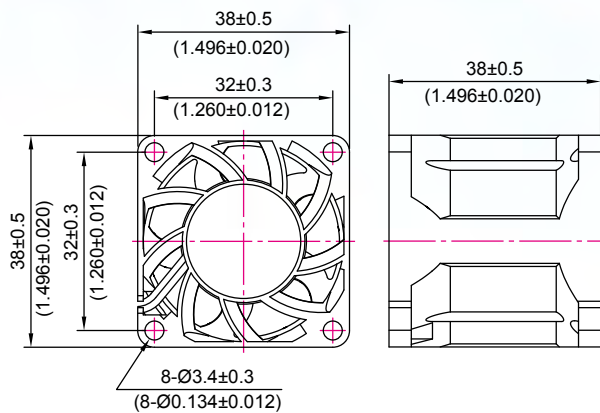
3838 series 38x38x38 mm



P&Q Curve



Dimensions Drawing



UNIT:MM/(INCH)

Specifications

Model	Rated Voltage (VDC)	Rated Current (AMP)	Power Consumption (WATTS)	Speed Reference (RPM)	Air Flow (CFM)	Static Pressure (Inch-H ₂ O)	Noise (dBA)
EC3838M05X	5	0.3	1.5	8000	10.56	0.26	<35
EC3838L05X	5	0.2	1	6000	7.76	0.14	<28
EC3838LL05X	5	0.1	0.5	4000	5.03	0.07	<19.2
EC3838HH12X	12	0.44	5.28	12000	15.88	0.6	<45
EC3838H12X	12	0.3	3.6	10000	13.25	0.42	<41
EC3838M12X	12	0.16	1.92	8000	10.56	0.26	<35
EC3838L12X	12	0.12	1.44	6000	7.76	0.14	<28
EC3838LL12X	12	0.08	0.96	4000	5.03	0.07	<19.2
EC3838HH24X	24	0.26	6.24	12000	15.88	0.6	<45
EC3838H24X	24	0.2	4.8	10000	13.25	0.42	<41
EC3838M24X	24	0.14	3.36	8000	10.56	0.26	<35
EC3838L24X	24	0.08	1.92	6000	7.76	0.14	<28

- ▶ Material: impeller & Frame: Plastic (UL 94V-0)
- ▶ Lead Wires: UL 1007 AWG #28 Or Equivalent
Red Wire Positive(+), Black Wire Negative(-), Yellow Wire Or Blue Wire Signal(FG)
- ▶ Function type is optional.

- ▶ The max air flow and the speed are measured in free air; max air pressure is measured at zero air flow.
- ▶ Noise is measured in anechoic chamber in free air, one meter from intake side.
- ▶ All readings are typical values at rated voltage.
- ▶ Specifications are subject to change without notice.
- ▶ Additional special function may be added according to the requirement of customer.