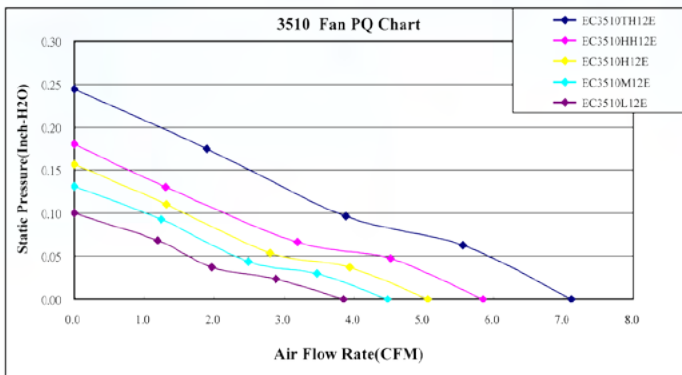


EVERCOOL

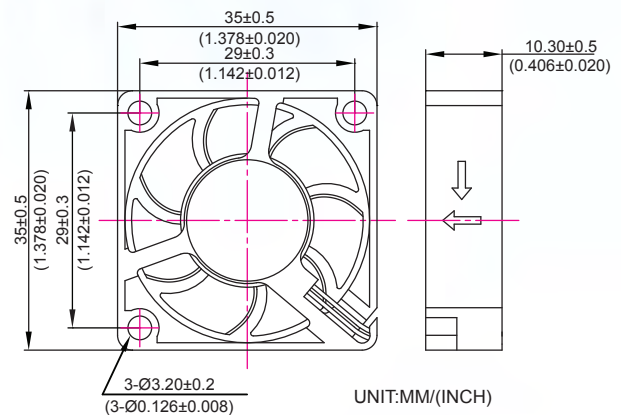
3510 series 35x35x10 mm



P&Q Curve



Dimensions Drawing



Specifications

Model	Rated Voltage (VDC)	Rated Current (AMP)	Power Consumption (WATTS)	Speed Reference (RPM)	Air Flow (CFM)	Static Pressure (Inch-H ₂ O)	Noise (dBA)
EC3510SH12X	12	0.2	2.4	12000	7.12	0.23	<37
EC3510HH12X	12	0.16	1.92	10000	6.54	0.19	<34
EC3510H12X	12	0.12	1.44	9000	5.53	0.14	<32
EC3510M12X	12	0.1	1.2	8000	4.49	0.13	<29
EC3510L12X	12	0.09	1.08	7000	3.96	0.09	<25

3510 series

- ▶ Material:impeller & Frame:Plastic(UL 94V-0)
- ▶ Lead Wires:
UL 1007 AWG #28 Or Equivalent
Red Wire Positive(+), Black Wire Negative(-), Yellow Wire Or Blue Wire Signal(FG)
- ▶ Function type is optional.

- ▶ The max air flow and the speed are measured in free air; max air pressure is measured at zero air flow.
- ▶ Noise is measured in anechoic chamber in free air, one meter from intake side.
- ▶ All readings are typical values at rated voltage.
- ▶ Specifications are subject to change without notice.
- ▶ Additional special function may be added according the requirement of customer.