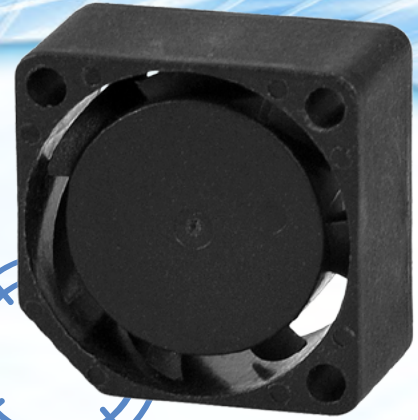
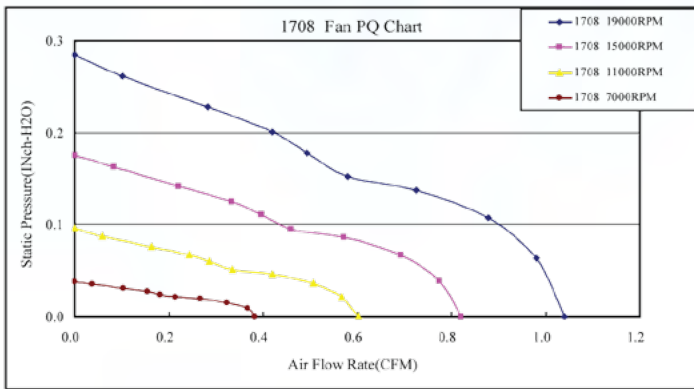


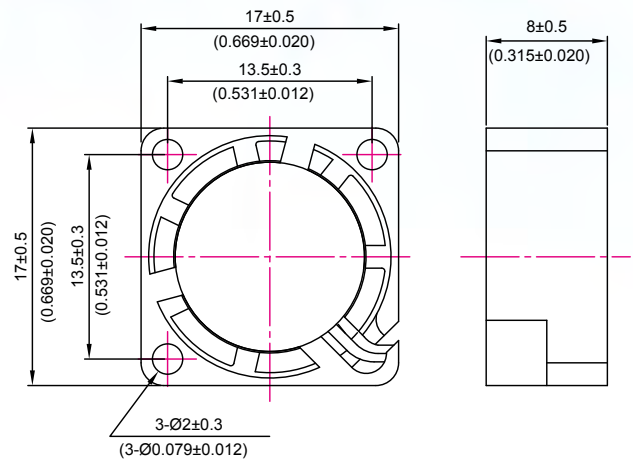
1708 series 17x17x08 mm



P&Q Curve



Dimensions Drawing



Specifications

UNIT:MM/(INCH)

Model	Rated Voltage (VDC)	Rated Current (AMP)	Power Consumption (WATTS)	Speed Reference (RPM)	Air Flow (CFM)	Static Pressure (Inch-H ₂ O)	Noise (dBA)
EC1708HH05X	5	0.22	1.1	19000	1.04	0.28	<26.9
EC1708H05X	5	0.18	0.9	15000	0.82	0.18	<21.7
EC1708M05X	5	0.08	0.4	11000	0.6	0.1	<15
EC1708L05X	5	0.07	0.35	7000	0.38	0.04	<5.2

- ▶ Material:impeller & Frame:Plastic(UL 94V-0)
- ▶ Lead Wires:
UL 1007 AWG #28 Or Equivalent
Red Wire Positive(+), Black Wire Negative(-), Yellow Wire Or Blue Wire Signal(FG)
- ▶ Function type is optional.

- ▶ The max air flow and the speed are measured in free air; max air pressure is measured at zero air flow.
- ▶ Noise is measured in anechoic chamber in free air, one meter from intake side.
- ▶ All readings are typical values at rated voltage.
- ▶ Specifications are subject to change without notice.
- ▶ Additional special function may be added according the requirement of customer.