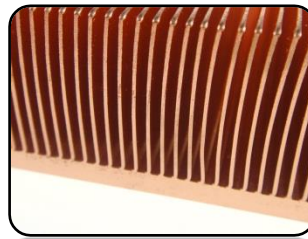


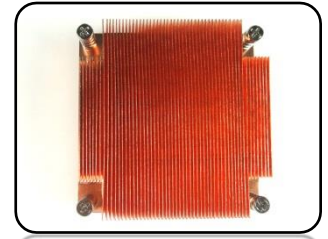


EVERCOOL

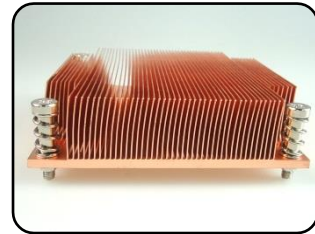
FAITH RELIABILITY TRUST



All copper, Skive Fin Technology



Top View



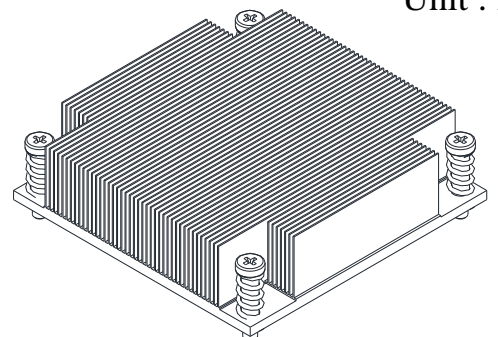
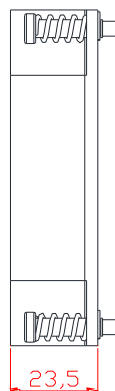
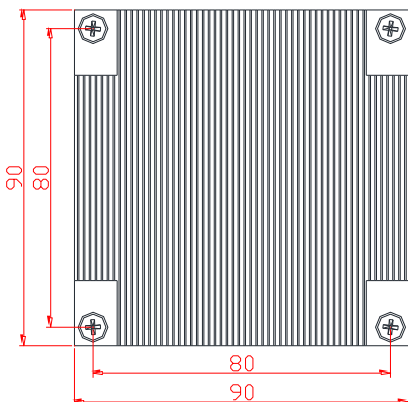
Side View

Product Specification

Application Socket	Intel LGA 2011 (Square Type)
Heat Sink Dimension	90mm X 90mm X 23.5mm
Heat Sink Material	Copper
Weight (g)	580
CPU Support	Intel Sandy Bridge EP/EX Processor

Features:

- Max TDP 95W(Up To System Fan)
- All Copper Provides Faster Heat Dissipation Rate
- Design For 1U Server
- For Blade Server Design



Unit : mm