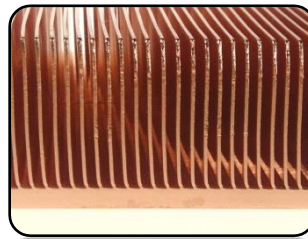
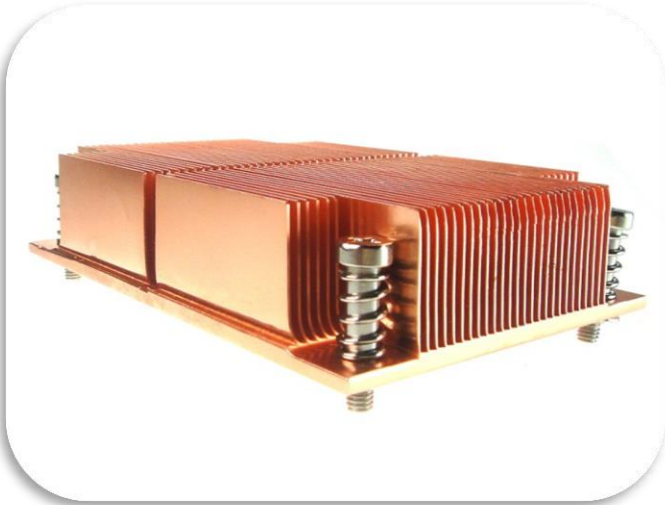
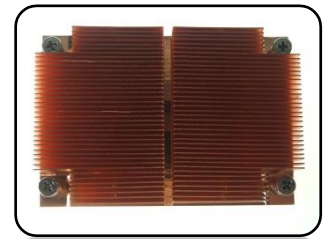




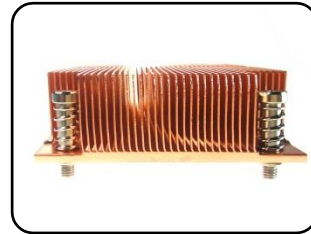
EVERCOOL
FAITH RELIABILITY TRUST



All copper, Skive Fin Technology



Top View



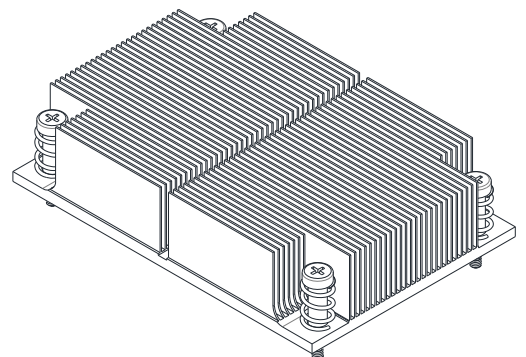
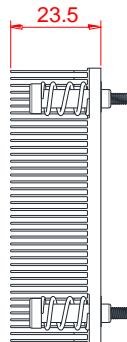
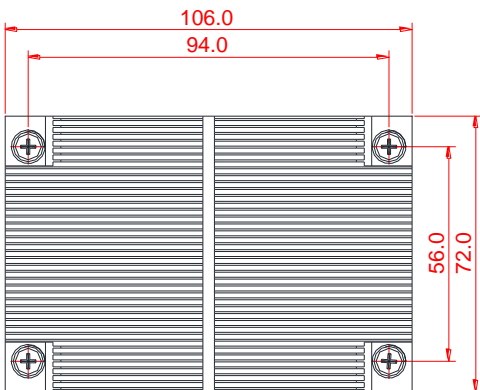
Side View

Product Specification

| | |
|---------------------|------------------------------------|
| Application Socket | Intel LGA 2011 (Narrow Type) |
| Heat Sink Dimension | 106mm X 72mm X 23.5mm |
| Heat Sink Material | Copper |
| Weight (g) | 540 |
| CPU Support | Intel Sandy Bridge EP/EX Processor |

Features:

- Max TDP 130W(Up To System Fan)
- All Copper Provides Faster Heat Dissipation Rate
- Design For 1U Server
- For Blade Server Design



Unit : mm