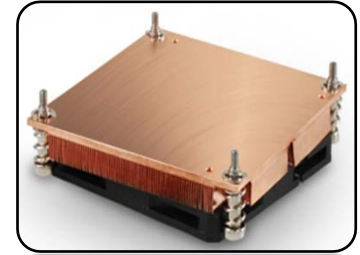




8cm FAN



Bottom View



Screws M3

Product Specification

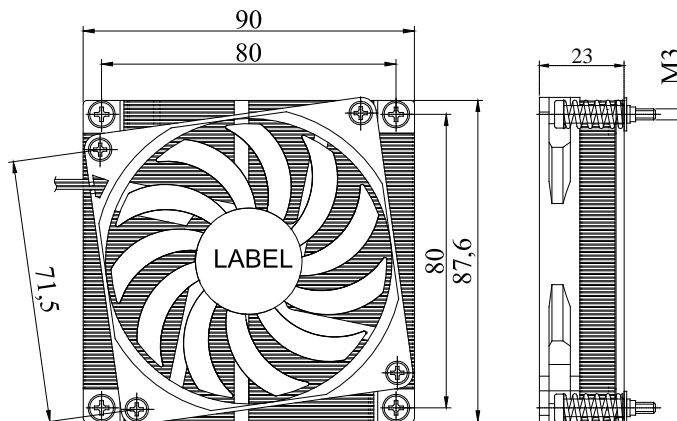
Application Socket	Intel LGA 1366
Heat Sink Dimension	90mmX88mmX23mm
Heat Sink Material	Copper
Fan Dimension	80mmX80mmX10mm
Bearing Type	EL Bearing Fan Life Expectancy at 25°C 40000HR
Fan Speed (RPM)	3500±10%
Fan Airflow (CFM)	24.71
Static Pressure (mm H2O)	0.06
Fan Noise Level (dBA)	<30.6
Rated Voltage (V)	12
Weight (g)	460

CPU Support :

- Intel® Xeon® Processor 5000 Sequence
E5502 ~E5649
L5506 ~ L5640
X5550~X5675
Without X5647 130 W Version

Features:

- Max TDP 95W



Unit : mm